



GS SQ 6F39

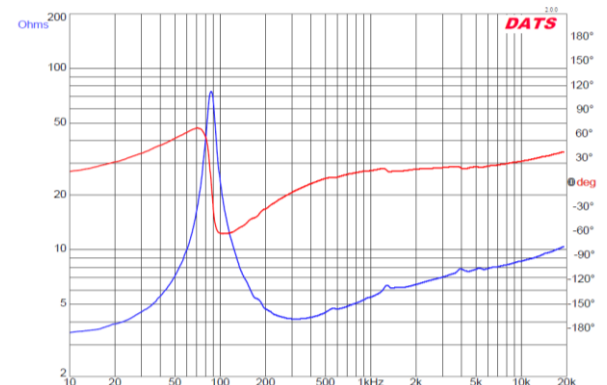
4 Ohm

General Specifications

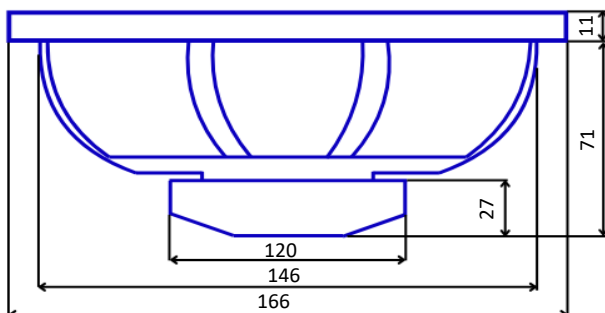
Nominal Diameter	160 mm
Nominal Impedance	4 Ohm
Minimum Impedance	3,33 Ohm
RMS Power	180 WRMS
Max Power	360 W
Frequency Range	60 ÷ 6000 Hz
Efficiency (Eta 0)	0,91%
Sensibility (1w - 1 mt)	91,70 dB
Sensibility (2.83 V)	95,20 dB
Voice coil Diameter	39 mm
Voice Coil Wire	100% copper

Thiele&Small Parameters

Re (ohm)	3,33
Fs (Hz)	87,48
Le (mH)	0,13
Vas (L)	7,07
Cms (mm/N)	0,29
BxL (T*m)	6,55
Qts	0,47
Qms	10,54
Qes	0,49
Xmax (mm - one way)	4,5
Mms (g)	11,59



Drawing dimension / installation

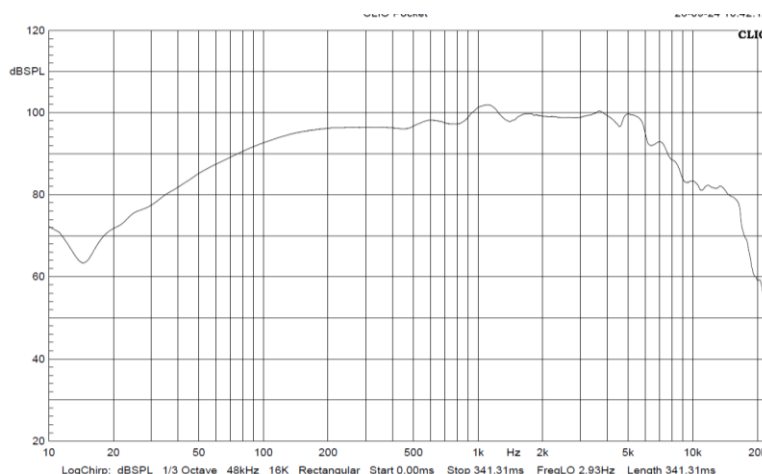


Technical Parameter

Voice coil winding height	14 mm
Voice coil former	composite fiber
Magnet material	ferrite
Magnet dimension	120*20 mm
Gap Height	6 mm
Demulation ring	yes
Crossover advice HPF	60 Hz - 18 dB
Crossover advice LPF	5 kHz - 12 dB
Minimum power advice	90 WRMS
Terminal connection	Push terminal
Surround Material	Foam
Surround type	U round
Cone material	Glass fiber

Speaker / Package dimension

Outer diameter	166 mm
Installation diameter	146 mm
Mounting depth	69 mm
Magnet diameter	120 mm
Type basket	Aluminium
Volume speaker	1,4 L
Speaker Weight	2,1 kg
Package Weight	2,5 kg
Shipping box	19*19*10 cm



Gs Audio Srl - www.gsaudio.it

Via Matteotti 220/A - San Possidonio MO - Italy
Whatsapp +39 3473263458 - e-mail: info@gsaudio.it